

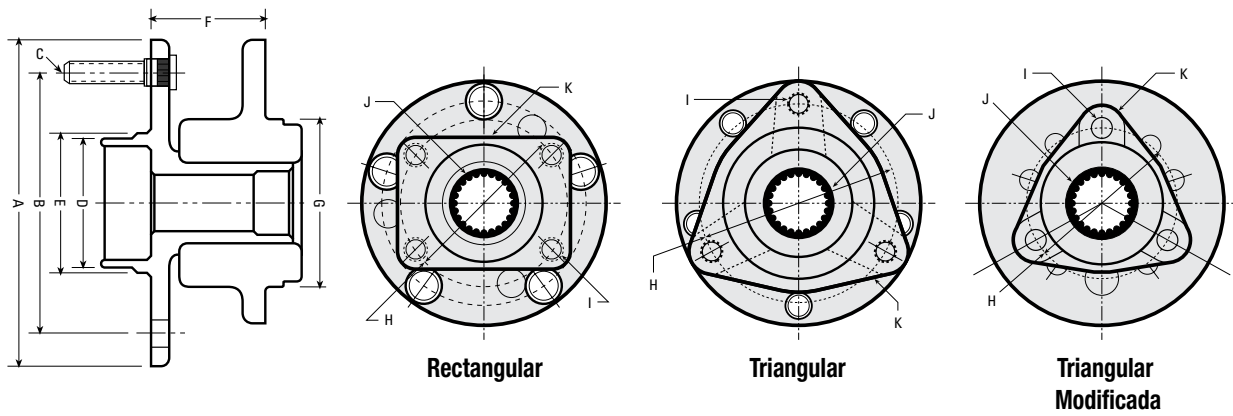
Timken, en el centro de la evolución de la maza



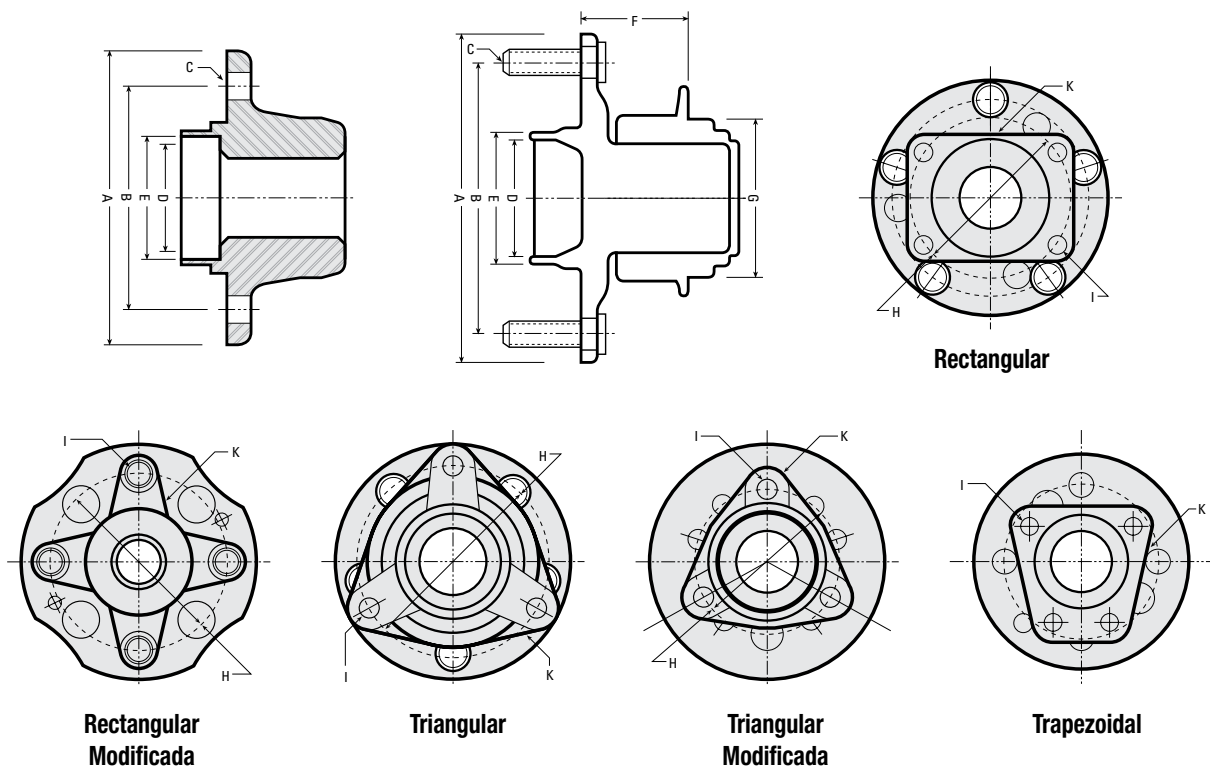
No inventamos la rueda, simplemente la hicimos mejor

Diagramas de los ensambles de maza

Ensamblajes de mazas - Eje conducido



Ensamblajes de mazas - Eje motriz



Especificaciones de ensambles de mazas y rodamientos

| No. de Parte | | Diámetro de Brida | Diámetro Círculo Birlo | Birlo: tamaño y cantidad | Diámetro rueda piloto | Diámetro freno piloto | Desplaz. brida | Diámetro maza piloto | Birlo: diámetro círculo | Birlo: Agujero y cantidad | Forma de la brida | Estrias Cantidad | ABS |
|--------------|---|-------------------|------------------------|--------------------------|-----------------------|-----------------------|----------------|----------------------|-------------------------|---------------------------|-------------------|------------------|-----|
| | | A | B | C | D | E | F | G | H | I | J | | S/N |
| 510038 | * | - | - | - | - | - | - | 3.39 | 4.13 | M10x1.25 | Modificada | - | - |
| | | | | | | | | 86.00 | 105.00 | (4) | Trapezoidal | | |
| 511010 | * | - | - | - | - | - | - | 3.19 | - | - | Modificada | - | - |
| | | | | | | | | 81.00 | | (4) | Rectangular | | |
| 511011 | * | - | - | - | - | - | - | 3.19 | - | - | Modificada | - | - |
| | | | | | | | | 81.00 | | (4) | Rectangular | | |
| 511012 | * | - | - | - | - | - | - | 3.54 | 5.96 | - | Modificada | - | - |
| | | | | | | | | 90.00 | 151.38 | (4) | Rectangular | | |
| 512000 | | 5.43 | 3.94 | M12x1.5 | 2.24 | 2.26 | 2.56 | 2.40 | - | 0.43 | Modificada | - | N |
| | | 138.00 | 100.00 | (4) | 57.00 | 57.49 | 65.14 | 61.00 | | 11.00 (4) | Trapezoidal | | |
| 512001 | | 5.43 | 3.94 | M12x1.5 | 2.24 | 2.26 | 2.56 | 2.40 | - | 0.43 | Modificada | - | Y |
| | | 138.00 | 100.00 | (5) | 57.00 | 57.49 | 65.14 | 61.00 | | 11.00 (4) | Trapezoidal | | |
| 512002 | | 5.43 | 3.94 | M12x1.5 | 2.24 | 2.26 | 2.56 | 2.40 | - | 0.43 | Modificada | - | Y |
| | | 138.00 | 100.00 | (4) | 57.00 | 57.49 | 65.14 | 61.00 | | 11.00 (4) | Trapezoidal | | |
| 512003 | | 5.93 | 4.53 | M12x1.5 | 2.76 | 2.78 | 2.56 | 2.83 | 3.96 | 0.47 | Rectangular | - | Y |
| | | 150.50 | 115.00 | (5) | 70.10 | 70.60 | 65.14 | 71.80 | 100.60 | 11.94 (4) | | | |
| 512004 | | 5.93 | 4.53 | M12x1.5 | 2.76 | 2.78 | 2.56 | 2.83 | 3.96 | 0.47 | Rectangular | - | Y |
| | | 150.50 | 115.00 | (5) | 70.10 | 70.60 | 65.14 | 71.80 | 100.60 | 11.94 (4) | | | |
| 512005 | | 6.14 | 4.53 | M12x1.5 | 2.76 | 2.78 | 2.72 | 2.83 | - | 0.47 | Rectangular | - | N |
| | | 156.00 | 115.00 | (5) | 70.14 | 70.63 | 69.10 | 71.80 | | 11.94 (4) | | | |
| 512006 | | 5.93 | 4.53 | M12x1.5 | 2.76 | 2.78 | 2.56 | 2.83 | 3.96 | 0.47 | Rectangular | - | Y |
| | | 150.50 | 115.00 | (5) | 70.10 | 70.60 | 65.14 | 71.80 | 100.60 | 11.94 (4) | | | |
| 512007 | | 5.55 | 3.94 | M12x1.5 | 1.89 | 2.20 | 2.24 | - | - | M6x10 | - | - | N |
| | | 141.00 | 100.00 | (4) | 48.00 | 56.00 | 57.00 | - | | | | | |
| 512008 | | 5.77 | 4.50 | M12x1.5 | 2.76 | 2.76 | 2.44 | - | - | - | - | - | Y |
| | | 146.50 | 114.30 | (5) | 70.00 | 70.00 | 62.00 | | | | | | |
| 512009 | * | - | - | - | - | - | - | - | 3.90 | 0.41 | Modificada | - | - |
| | | | | | | | | | 99.00 | 10.50 (4) | Trapezoidal | | |
| 512010 | | 5.51 | 4.50 | M12x1.5 | 2.64 | 3.54 | 2.27 | - | - | - | - | - | N |
| | | 140.00 | 114.30 | (5) | 67.00 | 90.00 | 57.70 | | | | | | |
| 512011 | | 5.51 | 4.41 | M12x1.5 | 2.64 | 3.55 | - | - | - | - | - | - | Y |
| | | 140.00 | 112.00 | (5) | 67.00 | 90.00 | | | | | | | |
| 512012 | | 4.72 | 3.94 | M14x1.5 | 2.24 | 2.56 | 1.61 | - | - | - | - | - | Y |
| | | 120.00 | 100.00 | (5) | 57.00 | 65.00 | 41.00 | | | | | | |
| 512013 | | 5.31 | 3.94 | - | 2.24 | 2.26 | 2.06 | - | - | - | - | - | Y |
| | | 135.00 | 100.00 | (5) | 56.90 | 57.30 | 52.40 | | | | | | |
| 512014 | * | - | - | - | - | - | - | 3.19 | - | M12x1.25 | Modificada | - | - |
| | | | | | | | | 81.00 | | (4) | Rectangular | | |
| 512015 | | 5.83 | 4.50 | - | 2.60 | 2.68 | 2.54 | - | - | - | - | - | N |
| | | 148.00 | 114.30 | (5) | 66.00 | 68.00 | 64.50 | | | | | | |
| 512016 | | 5.83 | 4.50 | M12x1.25 | 2.60 | 2.68 | 1.93 | 2.83 | - | - | - | - | N |
| | | 148.00 | 114.30 | (4) | 66.00 | 68.00 | 49.00 | 72.00 | | | | | |
| 512017 | | 5.08 | 4.25 | M12x1.25 | 2.56 | 2.80 | 1.65 | 3.01 | - | - | - | - | N |
| | | 129.00 | 108.00 | (4) | 65.00 | 71.00 | 42.00 | 76.50 | | | | | |
| 512018 | | 5.51 | 3.94 | M12x1.5 | 2.13 | 2.17 | 2.94 | - | 3.82 | 0.41 | Modificada | - | N |
| | | 140.00 | 100.00 | (4) | 54.00 | 55.00 | 74.70 | | 97.00 | 10.50 (4) | Trapezoidal | | |
| 512019 | | 5.51 | 100.00 | M12x1.5 | 2.13 | 2.17 | 2.94 | N/A | 3.82 | 0.413 | Modificada | - | Y |
| | | 140.00 | | (4) | 54.00 | 55.00 | 74.70 | | 97.00 | (4) | Trapezoidal | | |

Especificaciones de ensambles de mazas y rodamientos

| No. de Parte | Diámetro de Brida | Diámetro Círculo Birlo | Birlo: tamaño y cantidad | Diámetro rueda piloto | Diámetro freno piloto | Desplaz. brida | Diámetro maza piloto | Birlo: diámetro círculo | Birlo: Agujero y cantidad | Forma de la brida | Estrias Cantidad | ABS |
|--------------|-------------------|------------------------|--------------------------|-----------------------|-----------------------|----------------|----------------------|-------------------------|---------------------------|-------------------|------------------|-----|
| | A | B | C | D | E | F | G | H | I | J | | S/N |
| 512020 | 5.98 | 4.50 | M12x1.5 | 2.52 | 2.52 | 2.20 | - | - | - | - | - | Y |
| | 152.00 | 114.30 | (4) | 64.00 | 64.00 | 56.00 | | | | | | |
| 512021 | 5.31 | 3.94 | - | 2.24 | 2.26 | 2.06 | - | - | - | - | - | A/N |
| | 135.00 | 100.00 | (4) | 56.90 | 57.35 | 52.40 | | | | | | |
| 512022 | 5.47 | 4.50 | M12x1.5 | 2.52 | 2.52 | 2.31 | - | - | - | - | - | Y |
| | 139.00 | 114.30 | (4) | 64.00 | 64.00 | 58.70 | | | | | | |
| 512023 | 5.31 | 3.94 | - | 2.24 | 2.26 | 2.06 | - | - | - | - | - | Y |
| | 135.00 | 100.00 | (5) | 56.90 | 57.35 | 52.40 | | | | | | |
| 512024 | 5.35 | 4.21 | M12x1.5 | 3.28 | 3.28 | 2.03 | 3.27 | - | - | - | - | Y |
| | 135.00 | 107.00 | (4) | 83.20 | 83.20 | 51.50 | 83.00 | | | | | |
| 512025 | 5.28 | 3.94 | 14 | 2.32 | 2.68 | 2.07 | - | - | - | - | - | Y |
| | 134.00 | 100.00 | (4) | 59.00 | 68.00 | 52.50 | | | | | | |
| 512026 | 5.48 | 4.73 | M12x1.5 | 2.64 | 3.57 | 2.33 | - | - | - | - | - | Y |
| | 139.07 | 120.22 | (4) | 67.06 | 90.68 | 59.20 | | | | | | |
| 512027 | 5.47 | 4.50 | M12x1.5 | 2.64 | 2.99 | 1.99 | - | - | - | - | - | Y |
| | 139.00 | 114.30 | (4) | 67.00 | 76.00 | 50.50 | | | | | | |
| 512029 | 5.83 | 4.50 | 14 | 2.60 | 2.68 | 2.26 | - | - | - | - | - | N |
| | 148.00 | 114.30 | (4) | 66.00 | 68.00 | 57.50 | | | | | | |
| 512030 | 5.51 | 4.50 | M12x1.5 | 2.81 | 2.88 | 1.63 | - | - | - | - | - | N |
| | 140.00 | 114.30 | (5) | 71.40 | 73.15 | 41.40 | | | | | | |
| 512031 | 5.98 | 4.50 | M12x1.5 | 2.52 | 2.52 | 2.80 | - | - | - | - | - | Y |
| | 152.00 | 114.30 | (4) | 64.00 | 64.00 | 71.00 | | | | | | |
| 512032 | 5.98 | 4.50 | M12x1.5 | 2.52 | 2.52 | 2.20 | - | - | - | - | - | Y |
| | 152.00 | 114.30 | (4) | 64.00 | 64.00 | 56.00 | | | | | | |
| 512033 | 4.92 | 3.94 | M12x1.5 | 2.20 | 2.52 | 2.22 | - | - | - | - | - | N |
| | 125.00 | 100.00 | (4) | 56.00 | 64.00 | 56.50 | | | | | | |
| 512034 | 5.35 | 3.94 | M12x1.5 | 2.20 | 2.40 | 2.17 | - | - | - | - | - | N |
| | 136.00 | 100.00 | (4) | 56.00 | 61.00 | 55.00 | | | | | | |
| 512036 | 4.96 | 3.94 | M12x1.25 | 2.20 | 2.28 | 2.54 | 2.48 | - | - | - | - | N |
| | 140.00 | 114.30 | (4) | | | 56.50 | | | | | | |
| 512038 | * | - | - | - | - | - | - | 4.17 | 0.41 | Modificada | - | - |
| | | | | | | | | 106.00 | 10.50 (4) | Trapezoidal | | |
| 512039 | 5.51 | 4.50 | - | 2.64 | 2.64 | 2.22 | 3.03 | - | - | - | - | N |
| | 140.00 | 114.30 | (5) | 67.00 | 67.00 | 56.50 | 77.00 | | | | | |
| 512040 | 5.52 | 4.50 | - | 2.64 | 2.64 | 2.22 | 2.62 | - | - | - | - | Y |
| | 140.20 | 14.30 | (4) | 67.00 | 67.00 | 56.50 | 66.50 | | | | | |
| 512041 | 6.02 | 4.50 | M12x1.5 | 2.36 | 2.44 | 3.09 | 3.30 | - | 0.41 | Modificada | - | Y |
| | 153.00 | 114.30 | (5) | 60.00 | 62.00 | 78.60 | 83.88 | | 10.50 (4) | Trapezoidal | | |
| 512078 | 5.93 | 4.53 | M12x1.5 | 2.76 | 2.78 | 2.56 | 2.83 | 3.96 | 0.47 | Rectangular | - | Y |
| | 150.50 | 115.00 | (5) | 70.10 | 70.60 | 65.14 | 71.80 | 100.60 | 11.94 (4) | | | |
| 512105 | - | - | - | 2.49 | 2.54 | 2.29 | - | - | - | - | - | Y |
| | | | (5) | 63.23 | 64.42 | 58.06 | | | | | | |
| 512106 | 5.47 | 4.21 | M12x1.5 | 2.50 | 2.55 | 2.27 | 2.95 | - | - | - | - | N |
| | 139.00 | 107.00 | (5) | 63.50 | 64.50 | 57.75 | 75.00 | | | | | |
| 512107 | 5.47 | 4.25 | M12x1.5 | 2.49 | 2.53 | 2.15 | - | - | - | - | - | Y |
| | 139.00 | 107.95 | (5) | 63.22 | 64.38 | 54.58 | | | | | | |
| 512118 | 5.51 | 4.50 | M12x1.5 | 2.64 | 2.83 | 2.32 | 2.80 | - | - | - | - | Y |
| | 140.00 | 114.30 | (5) | 67.00 | 72.00 | 59.00 | 71.00 | | | | | |

Especificaciones de ensambles de mazas y rodamientos

| No. de Parte | Diámetro de Brida | Diámetro Círculo Birlo | Birlo: tamaño y cantidad | Diámetro rueda piloto | Diámetro freno piloto | Desplaz. brida | Diámetro maza piloto | Birlo: diámetro círculo | Birlo: Agujero y cantidad | Forma de la brida | Estrias Cantidad | ABS |
|--------------|-------------------|------------------------|--------------------------|-----------------------|-----------------------|----------------|----------------------|-------------------------|---------------------------|-------------------|------------------|-----|
| | A | B | C | D | E | F | G | H | I | J | | S/N |
| 512119 | 5.51 | 4.50 | M12x1.5 | 2.64 | 2.83 | 2.32 | 2.80 | - | - | - | - | N |
| | 140.00 | 114.30 | (5) | 67.00 | 72.00 | 59.00 | 71.00 | | | | | |
| 512120 | 5.98 | 4.50 | M12x1.5 | 2.52 | 2.52 | 2.80 | - | - | - | - | - | Y |
| | 152.00 | 114.30 | (4) | 64.00 | 64.00 | 71.00 | | | | | | |
| 512121 | 5.98 | 4.50 | M12x1.5 | 2.52 | 2.52 | 2.80 | - | - | - | - | - | Y |
| | 152.00 | 114.30 | (5) | 64.00 | 64.00 | 71.00 | | | | | | |
| 512122 | 5.98 | 4.50 | M12x1.5 | 2.52 | 2.52 | 2.20 | 2.80 | - | - | - | - | N |
| | 152.00 | 114.30 | (4) | 64.00 | 64.00 | 56.00 | 71.00 | | | | | |
| 512123 | 5.77 | 4.50 | M12x1.5 | 2.52 | 2.76 | 2.44 | - | - | - | - | - | Y |
| | 146.50 | 114.30 | (5) | 64.00 | 70.00 | 62.00 | | | | | | |
| 512124 | 5.77 | 4.50 | M12x1.5 | 2.52 | 2.76 | 2.44 | - | - | - | - | - | Y |
| | 146.50 | 114.30 | (5) | 64.00 | 70.00 | 62.00 | | | | | | |
| 512125 | 5.51 | 4.50 | M12x1.5 | 2.77 | 2.81 | 2.36 | 3.34 | - | - | - | - | N |
| | 140.00 | 114.30 | (5) | 70.40 | 71.35 | 60.00 | 84.75 | | | | | |
| 512133 | 5.23 | 3.74 | M12x1.5 | 2.24 | 2.25 | - | 2.60 | - | - | - | - | Y |
| | 135.20 | 95.07 | (5) | 56.90 | 57.25 | | 66.04 | | | | | |
| 512136 | * | - | - | - | - | - | - | 4.25 | M10x1.25 | Modificada | - | - |
| | | | | | | | | 108.00 | (4) | Trapezoidal | | |
| 512137 | * | - | - | - | - | - | - | 3.90 | 0.413 | Modificada | - | - |
| | | | | | | | | 99.00 | (4) | Trapezoidal | | |
| 512144 | 5.98 | 4.50 | M12x1.5 | 2.52 | 2.52 | 2.20 | - | - | - | - | - | Y |
| | 152.00 | 114.30 | (5) | 64.00 | 64.00 | 56.00 | | | | | | |
| 512145 | 5.51 | 4.13 | - | 2.58 | 2.56 | - | - | 4.14 | 0.41 | - | - | Y |
| | 140.00 | 105.00 | (5) | 65.43 | 65.10 | | | 105.23 | 10.34 | | | |
| 512146 | 5.15 | 4.27 | - | 2.55 | 2.68 | - | - | - | - | - | - | Y |
| | 130.84 | | (4) | 64.77 | 67.95 | | | | | | | |
| 512147 | 5.37 | 3.94 | M12x1.5 | 2.81 | 3.38 | 1.47 | 3.39 | 4.41 | - | - | - | N |
| | 136.27 | 100.00 | (4) | 71.37 | 85.85 | 37.39 | 86.21 | 111.98 | | | | |
| 512148 | 4.92 | 3.94 | M12x1.5 | 2.20 | 2.52 | 2.22 | - | - | - | - | - | N |
| | 125.00 | 100.00 | (4) | 56.00 | 64.00 | 56.50 | | | | | | |
| 512149 | 5.46 | 4.25 | M12x1.5 | 2.49 | 2.54 | 2.15 | 2.91 | - | - | - | - | Y |
| | 138.58 | 107.95 | (5) | 63.26 | 64.42 | 54.58 | 73.99 | | | | | |
| 512150 | 5.93 | 4.53 | M12x1.5 | 2.76 | 2.78 | 2.56 | 2.83 | 3.96 | .47 | Rectangular | - | Y |
| | 150.50 | 115.00 | (5) | 70.10 | 70.60 | 65.14 | 71.80 | 100.60 | (4) | | | |
| 512151 | 5.93 | 4.53 | M12x1.5 | 2.76 | 2.78 | 2.56 | 2.83 | 3.96 | 0.47 | Rectangular | - | Y |
| | 150.50 | 115.00 | (5) | 70.10 | 70.60 | 65.14 | 71.80 | 100.60 | 11.94 (4) | | | |
| 512152 | 5.93 | 4.53 | M12x1.5 | 2.76 | 2.78 | 2.56 | 2.83 | 3.96 | 0.47 | Rectangular | - | Y |
| | 150.50 | 115.00 | (5) | 70.10 | 70.60 | 65.14 | 71.80 | 100.60 | 11.94 (4) | | | |
| 512153 | 5.73 | 4.75 | M12x1.5 | 2.76 | 2.78 | 1.66 | 3.60 | 4.57 | M12x1.75 | Modificada | 30 | Y |
| | 145.50 | 120.65 | (5) | 70.10 | 70.60 | 42.06 | 91.42 | 116.00 | (3) | Triangular | | |
| 512154 | 5.32 | 3.74 | M12x1.5 | 2.24 | 2.25 | - | 2.60 | - | - | - | - | N |
| | 135.20 | 95.07 | (5) | 56.90 | 57.25 | | 66.04 | | | | | |
| 512155 | 4.96 | 3.94 | M12x1.5 | 2.24 | 2.26 | 1.89 | 3.39 | - | M12x1.5 | Modificada | - | Y |
| | 126.00 | 100.00 | (5) | 56.80 | 57.30 | 48.00 | 86.00 | | (4) | Rectangular | | |
| 512156 | 5.51 | 4.50 | M12x1.5 | 2.81 | 2.83 | 1.89 | 3.39 | - | M12x1.5 | Modificada | - | Y |
| | 140.00 | 114.30 | (5) | 71.40 | 71.90 | 48.00 | 86.00 | | (4) | Rectangular | | |
| 512157 | 5.46 | 4.26 | M12x1.35 | 2.78 | 2.82 | 1.88 | 3.38 | 3.51 | 0.41 | Modificada | - | N |
| | 138.87 | 108.38 | (5) | 70.73 | 71.62 | 7.94 | 85.95 | 89.15 | | Rectangular | | |

Especificaciones de ensambles de mazas y rodamientos

| No. de Parte | Diámetro de Brida | Diámetro Círculo Birlo | Birlo: tamaño y cantidad | Diámetro rueda piloto | Diámetro freno piloto | Desplaz. brida | Diámetro maza piloto | Birlo: diámetro círculo | Birlo: Agujero y cantidad | Forma de la brida | Estrias Cantidad | ABS |
|--------------|-------------------|------------------------|--------------------------|-----------------------|-----------------------|----------------|----------------------|-------------------------|---------------------------|-------------------|------------------|-----|
| | A | B | C | D | E | F | G | H | I | J | | S/N |
| 512158 | 5.51 | 4.50 | M12x1.5 | 2.64 | | 2.55 | 3.03 | - | - | - | - | N |
| | 140.00 | 114.30 | (4) | | 67.00 | 64.70 | 77.00 | | | | | |
| 512159 | 5.47 | 4.50 | M12x1.5 | 2.23 | 2.23 | 3.23 | 2.64 | - | - | - | - | Y |
| | 139.00 | 114.30 | (4) | 56.51 | 56.51 | 82.10 | 67.00 | | | | | |
| 512160 | 5.47 | 4.50 | M12x1.5 | 2.64 | 2.99 | 1.92 | 2.64 | - | - | - | - | Y |
| | 139.00 | 114.30 | (4) | 67.00 | 76.00 | 48.80 | 67.00 | | | | | |
| 512161 | 4.80 | 3.94 | M12x1.5 | 2.13 | 2.17 | 2.20 | - | - | - | - | - | Y |
| | 122.00 | 100.00 | (4) | 54.00 | 55.00 | 56.00 | | | | | | |
| 512162 | 5.47 | 4.25 | - | 2.49 | 2.54 | 2.27 | - | - | - | - | - | Y |
| | 139.00 | 107.95 | (5) | 63.26 | 64.42 | 57.75 | | | | | | |
| 512163 | 5.47 | 4.25 | M12x1.5 | 2.49 | 2.53 | 2.15 | - | - | - | - | - | Y |
| | 139.00 | 107.95 | (5) | 63.22 | 64.38 | 54.58 | | | | | | |
| 512164 | 5.47 | 4.25 | M12x1.5 | 2.49 | 2.53 | 2.15 | - | - | - | - | - | N |
| | 139.00 | 107.95 | (5) | 63.22 | 64.38 | 54.58 | | | | | | |
| 512165 | 5.47 | 4.50 | M12x1.5 | 2.64 | 2.99 | 1.99 | - | - | - | - | - | Y |
| | 139.00 | 114.30 | (4) | 67.00 | 76.00 | 50.50 | | | | | | |
| 512167 | 5.31 | 3.94 | - | 2.24 | 2.26 | 2.26 | - | - | - | - | - | Y |
| | 135.00 | 100.00 | (5) | 56.90 | 57.35 | 57.50 | | | | | | |
| 512168 | 5.31 | 3.94 | - | 2.24 | 2.26 | 2.26 | - | - | - | - | - | Y |
| | 135.00 | 100.00 | (5) | 56.90 | 57.35 | 57.50 | | | | | | |
| 512169 | 5.51 | 4.50 | M12x1.5 | 2.81 | 2.83 | 1.89 | 3.39 | - | M12x1.5 | Modificada | - | Y |
| | 140.00 | 114.30 | (5) | 71.40 | 71.90 | 48.00 | 86.00 | | (4) | Rectangular | | |
| 512170 | 5.51 | 4.50 | M12x1.5 | 2.81 | 2.83 | 1.89 | 3.39 | - | M12x1.5 | Modificada | - | N |
| | 140.00 | 114.30 | (5) | 71.40 | 71.90 | 48.00 | 86.00 | | (4) | Rectangular | | |
| 512171 | 4.80 | 3.94 | - | 2.22 | 2.24 | 2.52 | - | - | M10x1.25 | Rectangular | - | N |
| | 122.00 | 100.00 | (4) | 56.50 | 57.00 | 64.00 | | | (4) | | | |
| 512172 | 5.98 | 4.50 | M12x1.5 | 2.52 | 2.52 | 2.20 | - | - | - | - | - | Y |
| | 152.00 | 114.30 | (4) | 64.00 | 64.00 | 56.00 | | | | | | |
| 512173 | 5.98 | 4.50 | M12x1.5 | 2.52 | 2.52 | 2.48 | - | - | - | - | - | Y |
| | 152.00 | 114.30 | (5) | 64.00 | 64.00 | 63.00 | | | | | | |
| 512174 | 5.47 | 3.94 | M12x1.5 | 2.20 | 2.40 | 2.20 | 2.60 | - | - | - | - | N |
| | 139.00 | 100.00 | (4) | 56.00 | 61.00 | 56.00 | 66.00 | | | | | |
| 512175 | 5.47 | 3.94 | M12x1.5 | 2.20 | 2.40 | 2.20 | 2.60 | - | - | - | - | Y |
| | 139.00 | 100.00 | (4) | 56.00 | 61.00 | 56.00 | 66.00 | | | | | |
| 512176 | 5.98 | 4.50 | M12x1.5 | 2.52 | 2.52 | 2.20 | 2.60 | - | - | - | - | N |
| | 152.00 | 114.30 | (4) | 64.00 | 64.00 | 56.00 | 66.00 | | | | | |
| 512177 | 5.98 | 4.50 | M12x1.5 | 2.52 | 2.52 | 2.20 | - | - | - | - | - | Y |
| | 152.00 | 114.30 | (4) | 64.00 | 64.00 | 56.00 | | | | | | |
| 512178 | 5.98 | 4.50 | M12x1.5 | 2.52 | 2.52 | 2.20 | - | - | - | - | - | Y |
| | 152.00 | 114.30 | (4) | 64.00 | 64.00 | 56.00 | | | | | | |
| 512179 | 5.98 | 4.50 | M12x1.5 | 2.52 | 2.52 | 2.20 | - | - | - | - | - | Y |
| | 152.00 | 114.30 | (5) | 64.00 | 64.00 | 56.00 | | | | | | |
| 512180 | 5.98 | - | - | 2.52 | 2.52 | 2.44 | 2.87 | - | - | - | - | Y |
| | 152.00 | | (5) | 64.00 | 64.00 | 62.00 | 73.00 | | | | | |
| 512182 | 5.28 | 4.50 | M12x1.25 | 2.36 | 2.52 | 1.95 | - | - | - | - | - | N |
| | 134.00 | 114.30 | (4) | 60.00 | 64.00 | 49.50 | | | | | | |
| 512183 | * | - | - | - | - | - | 3.31 | - | M12x1.25 | Modificada | - | - |
| | | | | | | | 84.00 | | (4) | Rectangular | | |

Especificaciones de ensambles de mazas y rodamientos

| No. de Parte | Diámetro de Brida | Diámetro Círculo Birlo | Birlo: tamaño y cantidad | Diámetro rueda piloto | Diámetro freno piloto | Desplaz. brida | Diámetro maza piloto | Birlo: diámetro círculo | Birlo: Agujero y cantidad | Forma de la brida | Estrias Cantidad | ABS |
|--------------|-------------------|------------------------|--------------------------|-----------------------|-----------------------|----------------|----------------------|-------------------------|---------------------------|-------------------|------------------|-----|
| | A | B | C | D | E | F | G | H | I | J | | S/N |
| 512184 | 5.51 | 3.94 | M12x1.5 | 2.13 | 2.17 | 2.94 | N/A | 3.82 | - | Modificada | - | Y |
| | 140.00 | 100.00 | (4) | 54.00 | 55.00 | 74.70 | | 97.00 | (4) | Trapezoidal | | |
| 512185 | 4.92 | - | - | 2.28 | 2.52 | 2.22 | 2.10 | - | - | - | - | N |
| | 125.00 | | (4) | 58.00 | 64.00 | 56.50 | 57.30 | | | | | |
| 512186 | 5.51 | - | - | 2.64 | 2.84 | 2.33 | 2.80 | - | - | - | - | Y |
| | 140.00 | | (5) | 66.95 | 72.01 | 59.21 | 71.00 | | | | | |
| 512189 | 5.83 | 4.50 | M12x1.5 | 2.64 | 2.99 | 2.32 | 2.60 | 3.94 | M10x1.25 | Modificada | - | Y |
| | 148.00 | 114.30 | (5) | 67.00 | 76.00 | 59.00 | 66.00 | 100.00 | (4) | Rectangular | | |
| 512190 | 5.83 | 4.50 | M12x1.5 | 2.64 | 2.99 | 2.32 | 2.60 | 3.94 | M10x1.25 | Modificada | - | Y |
| | 148.00 | 114.30 | (4) | 67.00 | 76.00 | 59.00 | 66.00 | 100.00 | (4) | Rectangular | | |
| 512191 | 5.83 | 4.50 | M12x1.5 | 2.64 | 2.99 | 2.32 | 2.60 | 3.94 | M10x1.25 | Modificada | - | N |
| | 148.00 | 114.30 | (4) | 67.00 | 76.00 | 59.00 | 66.00 | 100.00 | (4) | Rectangular | | |
| 512192 | 5.51 | 3.94 | M12x1.5 | 2.13 | 2.46 | - | 2.76 | - | - | - | - | Y |
| | 140.00 | 100.00 | (4) | 54.00 | 62.50 | | 70.00 | | | | | |
| 512193 | 5.51 | 3.94 | M12x1.5 | 2.13 | 2.46 | - | 2.76 | - | - | - | - | N |
| | 140.00 | 100.00 | (4) | 54.00 | 62.50 | | 70.00 | | | | | |
| 512194 | 5.47 | 4.50 | M12x1.5 | 2.64 | 2.99 | - | 2.91 | - | - | - | - | N |
| | 139.00 | 114.30 | (4) | 67.00 | 76.00 | | 74.00 | | | | | |
| 512195 | 5.47 | 4.50 | M12x1.5 | 2.64 | 2.99 | - | 2.91 | - | - | - | - | Y |
| | 139.00 | 114.30 | (4) | 67.00 | 76.00 | | 74.00 | | | | | |
| 512196 | 5.83 | 4.50 | M12x1.5 | 2.64 | 2.99 | - | 3.07 | - | - | - | - | Y |
| | 148.00 | 114.30 | (5) | 67.00 | 76.00 | | 78.00 | | | | | |
| 512197 | 5.83 | 4.50 | M12x1.5 | 2.64 | 2.99 | - | 3.07 | - | - | - | - | N |
| | 148.00 | 114.30 | (5) | 67.00 | 76.00 | | 78.00 | | | | | |
| 512198 | 5.47 | 4.50 | M12x1.5 | 2.64 | 2.99 | - | 2.91 | - | - | - | - | Y |
| | 139.00 | 114.30 | (5) | 67.00 | 76.00 | | 74.00 | | | | | |
| 512199 | 5.47 | 4.50 | M12x1.5 | 2.64 | 2.99 | - | 2.91 | - | - | - | - | N |
| | 139.00 | 114.30 | (5) | 67.00 | 76.00 | | 74.00 | | | | | |
| 512200 | 4.79 | 3.95 | M12x1.5 | 2.20 | 2.27 | - | 2.64 | - | - | - | - | N |
| | 121.62 | 100.27 | (4) | 55.94 | 57.68 | | 67.09 | | | | | |
| 512215 | 5.31 | 3.94 | M12x1.5 | 2.13 | 2.17 | 2.15 | 2.91 | 3.66 | - | Modificada | - | Y |
| | 135.00 | 100.00 | (5) | 54.00 | 55.00 | 54.50 | 74.00 | 93.00 | (4) | Trapezoidal | | |
| 512216 | 5.31 | 3.94 | M12x1.5 | 2.13 | 2.17 | 2.15 | 2.91 | 3.66 | - | Modificada | - | N |
| | 135.00 | 100.00 | (5) | 54.00 | 55.00 | 54.50 | 74.00 | 93.00 | (4) | Trapezoidal | | |
| 512217 | 5.31 | 3.94 | M12x1.5 | 2.13 | 2.17 | 2.15 | 2.91 | 3.66 | M10x1.25 | Modificada | - | Y |
| | 135.00 | 100.00 | (5) | 54.00 | 55.00 | 54.50 | 74.00 | 93.00 | (4) | Trapezoidal | | |
| 512218 | 5.31 | 3.94 | M12x1.5 | 2.13 | 2.17 | 2.15 | 2.91 | 3.66 | M10x1.25 | Modificada | - | N |
| | 135.00 | 100.00 | (5) | 54.00 | 55.00 | 54.50 | 74.00 | 93.00 | (4) | Trapezoidal | | |
| 512219 | 5.87 | 4.30 | M12x1.5 | 2.60 | 2.91 | - | - | - | - | - | - | Y |
| | 148.97 | 109.11 | (5) | 65.91 | 73.85 | | | | | | | |
| 512220 | 5.33 | 3.98 | M12x1.5 | 2.24 | 2.33 | - | - | - | - | - | - | Y |
| | 135.31 | 101.08 | (5) | 56.90 | 59.15 | | | | | | | |
| 512221 | 5.93 | 4.53 | M12x1.5 | 2.76 | 2.78 | 2.56 | 2.83 | 3.96 | 0.47 | Rectangular | - | N |
| | 150.50 | 115.00 | (5) | 70.10 | 70.60 | 65.14 | 71.80 | 100.60 | 11.94 (4) | | | |
| 512222 | 5.73 | 4.53 | M12x1.5 | 2.76 | 2.78 | 1.66 | 3.60 | 4.57 | M12x1.75 | Modificada | - | Y |
| | 145.50 | 115.00 | (5) | 70.10 | 70.60 | 42.18 | 91.42 | 116.00 | (3) | Triangular | | |
| 512223 | 5.73 | 4.53 | M12x1.5 | 2.76 | 2.78 | 1.66 | 3.60 | 4.57 | M12x1.75 | Modificada | 30 | Y |
| | 145.50 | 115.00 | (5) | 70.10 | 70.60 | 42.18 | 91.42 | 116.00 | (3) | Triangular | | |

Especificaciones de ensambles de mazas y rodamientos

| No. de Parte | Diámetro de Brida | Diámetro Círculo Birlo | Birlo: tamaño y cantidad | Diámetro rueda piloto | Diámetro freno piloto | Desplaz. brida | Diámetro maza piloto | Birlo: diámetro círculo | Birlo: Agujero y cantidad | Forma de la brida | Estrías Cantidad | ABS |
|--------------|-------------------|------------------------|--------------------------|-----------------------|-----------------------|----------------|----------------------|-------------------------|---------------------------|-------------------|------------------|-----|
| | A | B | C | D | E | F | G | H | I | J | | S/N |
| 512229 | 5.91 | 4.53 | M12x1.5 | 2.76 | 2.78 | 3.25 | 3.11 | - | M10x1.5 | Rectangular | 26 | Y |
| | 150.00 | 115.00 | (5) | 70.10 | 70.60 | 82.60 | 79.00 | | (4) | | | |
| 512230 | 5.91 | 4.53 | M12x1.5 | 2.76 | 2.78 | 3.25 | 3.11 | - | M10x1.5 | Rectangular | 26 | N |
| | 150.00 | 115.00 | (5) | 70.10 | 70.60 | 82.60 | 79.00 | | (4) | | | |
| 512232 | 5.51 | 4.13 | - | 2.58 | 2.56 | - | - | - | - | | - | Y |
| | 140.00 | 105.00 | (5) | 65.43 | 65.10 | | | | | | | |
| 512235 | 5.52 | 4.46 | M12x1.5 | 2.64 | 3.55 | - | 2.82 | - | - | - | - | Y |
| | 140.11 | 113.33 | (4) | 66.93 | 90.12 | | 71.66 | | | | | |
| 512236 | 5.73 | 4.53 | M12x1.5 | 2.76 | 2.78 | 1.66 | 3.60 | 4.57 | M12x1.75 | Modificada | - | N |
| | 145.50 | 115.00 | (5) | 70.10 | 70.60 | 42.06 | 91.42 | 116.00 | (3) | Triangular | | |
| 512237 | 5.93 | 4.53 | M12x1.5 | 2.76 | 2.78 | 2.56 | 2.83 | 3.96 | 0.47 | Rectangular | - | Y |
| | 150.50 | 115.00 | (5) | 70.10 | 70.60 | 65.14 | 71.80 | 100.60 | 11.94 (4) | | | |
| 512238 | 5.51 | 4.33 | M12x1.5 | 2.56 | 2.58 | 3.07 | 2.36 | - | M10x1.25 | Modificada | - | Y |
| | 140.00 | 110.00 | (5) | 64.99 | 65.47 | 78.00 | 60.00 | | (4) | Trapezoidal | | |
| 512239 | 5.51 | 4.33 | M12x1.5 | 2.56 | 2.58 | 3.07 | 2.36 | - | M10x1.25 | Modificada | - | N |
| | 140.00 | 110.00 | (5) | 64.99 | 65.47 | 78.00 | 60.00 | | (4) | Trapezoidal | | |
| 513003 | 5.43 | 3.94 | M12x1.5 | 2.24 | 2.26 | 2.56 | 2.83 | - | 0.47 | Rectangular | - | N |
| | 138.00 | 100.00 | (5) | 57.00 | 57.49 | 65.14 | 71.80 | | 11.94 (4) | | | |
| 513004K | 4.92 | 3.94 | M12x1.5 | 2.24 | 2.30 | 1.70 | 2.89 | 3.86 | 0.43 | Modificada | 33 | N |
| | 125.00 | 100.00 | (5) | 57.00 | 58.33 | 43.18 | 73.50 | 98.00 | 11.00 (3) | Triangular | | |
| 513010 | 5.77 | 4.75 | M12x1.5 | 2.76 | 2.78 | 2.72 | 2.83 | - | 0.47 | Rectangular | - | N |
| | 146.56 | 120.65 | (5) | 71.10 | 70.60 | 69.00 | 71.80 | | 11.91 (4) | | | |
| 513011K | 4.94 | 3.94 | M12x1.5 | 2.25 | 2.27 | 1.65 | 2.80 | 4.02 | 0.5 | Modificada | 33 | N |
| | 125.40 | 100.00 | (5) | 57.02 | 57.73 | 41.91 | 71.00 | 102.01 | 12.70 (3) | Triangular | | |
| 513012 | 5.43 | 3.94 | M12x1.5 | 2.24 | 2.26 | 2.56 | 2.40 | - | 0.42 | Modificada | - | N |
| | 138.00 | 100.00 | (5) | 56.96 | 57.46 | 65.14 | 60.92 | | 10.75 (4) | Trapezoidal | | |
| 513013 | 5.69 | 4.75 | M12x1.5 | 2.76 | 2.78 | 1.86 | 3.21 | 4.75 | M12x1.75 | Modificada | 27 | N |
| | 144.50 | 120.65 | (5) | 70.10 | 70.60 | 47.28 | 81.50 | 120.65 | (3) | Triangular | | |
| 513016K | 5.73 | 4.53 | M12x1.5 | 2.76 | 2.78 | 1.66 | 3.55 | 4.57 | 0.51 | Modificada | 27 | N |
| | 145.50 | 115.00 | (5) | 70.10 | 70.60 | 42.18 | 90.05 | 116.00 | 12.96(3) | Triangular | | |
| 513017K | 4.92 | 3.94 | M12x1.5 | 2.24 | 2.26 | 1.75 | 2.89 | 3.86 | 0.51 | Modificada | 33 | N |
| | 125.00 | 100.00 | (5) | 57.00 | 57.33 | 44.43 | 73.50 | 98.00 | 12.96 (3) | Triangular | | |
| 513018 | 5.93 | 4.53 | M12x1.5 | 2.76 | 2.78 | 2.56 | 2.83 | 3.96 | 0.47 | Rectangular | - | N |
| | 150.50 | 115.00 | (5) | 70.10 | 70.60 | 65.14 | 71.80 | 100.60 | 11.94 (4) | | | |
| 513019 | 5.75 | 4.75 | M12x1.5 | 2.76 | 2.78 | 2.71 | 2.82 | - | 0.46 | Rectangular | - | Y |
| | 146.00 | 120.65 | (5) | 70.10 | 70.60 | 68.72 | 71.72 | | 11.69 (4) | | | |
| 513020 | 5.69 | 4.75 | M12x1.5 | 2.76 | 2.78 | 1.86 | 3.21 | 4.75 | M12x1.75 | Modificada | 27 | N |
| | 144.50 | 120.65 | (5) | 70.10 | 70.60 | 47.28 | 81.50 | 120.65 | (3) | Triangular | | |
| 513030 | 4.80 | 3.94 | M12x1.5 | 2.13 | 2.17 | 2.20 | 2.56 | - | - | - | - | N |
| | 122.00 | 100.00 | (4) | 54.00 | 55.00 | 56.00 | 65.00 | | | | | |
| 513033 | 5.35 | 3.94 | M12x1.5 | 2.21 | 2.40 | - | - | - | - | - | - | N |
| | 136.00 | 100.00 | (4) | 56.00 | 61.00 | | | | | | | |
| 513034 | 5.28 | 3.94 | M12x1.5 | 2.20 | 2.40 | 1.95 | 2.36 | - | - | - | - | N |
| | 134.00 | 100.00 | (4) | 56.00 | 61.00 | 49.50 | 60.00 | | | | | |
| 513035 | 5.28 | 3.94 | M12x1.5 | 2.20 | 2.40 | 1.95 | 2.46 | - | - | - | - | N |
| | 134.00 | 100.00 | (4) | 56.00 | 61.00 | 49.50 | 62.50 | | | | | |
| 513038 | 5.93 | 4.53 | M12x1.5 | 2.76 | 2.78 | 2.56 | 2.83 | 3.96 | 0.47 | Modificada | - | Y |
| | 150.50 | 115.00 | (5) | 70.10 | 70.60 | 65.14 | 71.80 | 100.60 | 11.94 (4) | Trapezoidal | | |

Especificaciones de ensambles de mazas y rodamientos

| No. de Parte | Diámetro de Brida | Diámetro Círculo Birlo | Birlo: tamaño y cantidad | Diámetro rueda piloto | Diámetro freno piloto | Desplaz. brida | Diámetro maza piloto | Birlo: diámetro círculo | Birlo: Agujero y cantidad | Forma de la brida | Estrias Cantidad | ABS |
|--------------|-------------------|------------------------|--------------------------|-----------------------|-----------------------|----------------|----------------------|-------------------------|---------------------------|-------------------|------------------|-----|
| | A | B | C | D | E | F | G | H | I | J | | S/N |
| 513039 | 5.93 | 4.53 | M12x1.5 | 2.76 | 2.78 | 2.56 | 2.83 | 3.96 | 0.47 | Rectangular | - | Y |
| | 150.50 | 115.00 | (5) | 70.10 | 70.60 | 65.14 | 71.80 | 100.60 | 11.94 (4) | | | |
| 513041 | 5.93 | 4.53 | M12x1.5 | 2.76 | 2.78 | 2.56 | 2.83 | 3.96 | 0.47 | Rectangular | - | Y |
| | 150.50 | 115.00 | (5) | 70.10 | 70.60 | 65.14 | 71.80 | 100.60 | 11.94 (4) | | | |
| 513042 | 5.93 | 4.53 | M12x1.5 | 2.76 | 2.78 | 2.56 | 2.83 | 3.96 | 0.47 | Rectangular | - | Y |
| | 150.50 | 115.00 | (5) | 70.10 | 70.60 | 65.14 | 71.80 | 100.60 | 11.94 (4) | | | |
| 513044 | 5.69 | 4.53 | M12x1.5 | 2.76 | 2.78 | 1.77 | 4.69 | 5.75 | M10x1.5 | Modificada | 33 | N |
| | 144.50 | 115.00 | (5) | 70.14 | 70.63 | 45.02 | 119.04 | 146.00 | (4) | Trapezoidal | | |
| 513048 | 5.47 | 4.50 | - | 2.52 | 2.52 | 2.17 | 2.80 | - | - | - | - | Y |
| | 139.00 | 114.30 | (4) | 64.00 | 64.00 | 55.00 | 71.00 | | | | | |
| 513049 | 5.47 | 4.50 | - | 2.52 | 2.52 | 2.17 | 2.80 | - | - | - | - | Y |
| | 139.00 | 114.30 | (4) | 64.00 | 64.00 | 55.00 | 71.00 | | | | | |
| 513050 | 5.28 | 3.94 | M12x1.5 | 2.20 | 2.40 | 1.95 | 2.46 | - | - | - | - | N |
| | 134.00 | 100.00 | (4) | 56.00 | 61.00 | 49.50 | 62.50 | | | | | |
| 513059 | 5.73 | 4.53 | M12x1.5 | 2.76 | 2.78 | 1.66 | 3.55 | 4.57 | 0.51 | Modificada | 33 | N |
| | 145.50 | 115.00 | (5) | 70.10 | 70.60 | 42.18 | 90.05 | 116.00 | 12.96 (3) | Triangular | | |
| 513061 | 5.69 | 4.75 | M12x1.5 | 2.76 | 2.78 | 1.86 | 3.21 | 4.75 | M12x1.75 | Modificada | 27 | Y |
| | 144.50 | 120.65 | (5) | 70.10 | 70.60 | 47.28 | 81.50 | 120.65 | (3) | Triangular | | |
| 513062 | 5.93 | 4.53 | M12x1.5 | 2.76 | 2.78 | 2.56 | 2.83 | 3.96 | 0.47 | Rectangular | - | Y |
| | 150.50 | 115.00 | (5) | 70.10 | 70.60 | 65.14 | 71.80 | 100.60 | 11.94 (4) | | | |
| 513063 | 5.77 | 4.53 | M12x1.5 | 2.76 | 2.78 | 1.66 | 3.55 | 4.57 | 0.51 | Modificada | 33 | N |
| | 146.51 | 115.01 | (5) | 70.13 | 70.64 | 42.16 | 90.04 | 116.00 | (3) | Rectangular | | |
| 513070 | 5.24 | - | - | 2.14 | 2.36 | - | 2.80 | - | - | - | - | N |
| | 133.00 | | (5) | 54.25 | 60.00 | | 71.00 | | | | | |
| 513072 | 5.24 | - | - | 2.14 | 2.36 | - | 3.39 | - | - | - | - | Y |
| | 133.00 | | (5) | 54.25 | 60.00 | | 86.00 | | | | | |
| 513074 | 5.49 | 4.50 | M12x1.5 | 2.81 | 2.88 | 1.47 | 3.43 | 4.41 | M10x1.5 | Modificada | 26 | N |
| | 139.32 | 114.30 | (5) | 71.32 | 73.25 | 37.34 | 87.00 | 112.01 | (4) | Rectangular | | |
| 513075 | 4.97 | 3.94 | M12x1.5 | 2.24 | 2.40 | 1.48 | 3.43 | 4.41 | M10x1.5 | Rectangular | 26 | N |
| | 126.25 | 100.00 | (5) | 56.90 | 60.93 | 37.60 | 87.05 | 112.00 | (4) | | | |
| 513076 | - | - | M12x1.5 | - | - | - | - | - | - | - | - | Y |
| | | | (5) | | | | | | | | | |
| 513078 | 5.24 | 3.94 | M12x1.5 | 2.14 | 2.36 | - | 2.80 | - | - | Rectangular | - | N |
| | 133.00 | 100.00 | (4) | 54.25 | 60.00 | | 71.00 | | | | | |
| 513080 | 5.98 | 4.50 | M12x1.5 | 2.52 | 2.52 | 2.20 | 2.60 | - | - | - | - | N |
| | 152.00 | 114.30 | (4) | 64.00 | 64.00 | 56.00 | 66.00 | | 24.00 (4) | | | |
| 513081 | 5.98 | - | - | 2.52 | 2.52 | 2.20 | 2.64 | - | - | - | - | Y |
| | 152.00 | | (4) | 64.00 | 64.00 | 56.00 | 67.00 | | | | | |
| 513082 | 5.70 | 4.50 | 1/2-20 | 2.81 | 2.88 | 2.12 | 3.39 | 4.50 | 1/2-20 | Circular | 26 | N |
| | 144.78 | 114.30 | (5) | 71.32 | 73.25 | 53.72 | 85.98 | 114.30 | (4) | | | |
| 513084 | 6.06 | 4.50 | 1/2-20 | 2.81 | 2.83 | 2.13 | 3.94 | 4.75 | M12x1.75 | Modificada | 27 | N |
| | 153.97 | 114.30 | (5) | 71.42 | 71.88 | 54.18 | 100.13 | 120.65 | (3) | Triangular | | |
| 513085 | 5.75 | 4.75 | M12x1.5 | 2.76 | 2.78 | 2.71 | 2.82 | - | 0.47 | Rectangular | - | Y |
| | 146.00 | 120.65 | (5) | 70.10 | 70.60 | 68.72 | 71.72 | | 11.94 (4) | | | |
| 513087 | 5.73 | 4.53 | M12x1.5 | 2.76 | 2.78 | 1.66 | 3.60 | 4.57 | 0.51 | Modificada | 33 | Y |
| | 145.50 | 115.00 | (5) | 70.10 | 70.60 | 42.18 | 91.42 | 116.00 | 12.96 (3) | Triangular | | |
| 513088 | 5.73 | 4.53 | M12x1.5 | 2.76 | 2.78 | 1.66 | 3.60 | 4.57 | 0.51 | Modificada | 33 | N |
| | 145.50 | 115.00 | (5) | 70.10 | 70.60 | 42.18 | 91.42 | 116.00 | 12.96 (3) | Triangular | | |

Especificaciones de ensambles de mazas y rodamientos

| No. de Parte | | Diámetro de Brida | Diámetro Círculo Birlo | Birlo: tamaño y cantidad | Diámetro rueda piloto | Diámetro freno piloto | Desplaz. brida | Diámetro maza piloto | Birlo: diámetro círculo | Birlo: Agujero y cantidad | Forma de la brida | Estrias Cantidad | ABS |
|--------------|---|-------------------|------------------------|--------------------------|-----------------------|-----------------------|----------------|----------------------|-------------------------|---------------------------|-------------------|------------------|-----|
| | | A | B | C | D | E | F | G | H | I | J | | S/N |
| 513089 | | 5.73 | 4.50 | M12x1.5 | 2.81 | 2.89 | 1.66 | 3.58 | 4.57 | M12x1.75 | Modificada | 33 | N |
| | | 145.50 | 114.30 | (5) | 71.42 | 73.28 | 42.06 | 91.00 | 116.00 | (3) | Triangular | | |
| 513090 | | 5.75 | 4.75 | M12x1.5 | 2.76 | 2.78 | 2.71 | 2.82 | - | M10x1.5 | Rectangular | - | Y |
| | | 146.00 | 120.65 | (5) | 70.10 | 70.60 | 68.72 | 71.72 | | (4) | | | |
| 513092 | | 5.47 | 4.25 | M12x1.5 | 2.49 | 2.80 | 1.87 | 3.39 | 4.25 | 0.51 | - | - | Y |
| | | 139.00 | 107.95 | (5) | 58.00 | 63.30 | 47.60 | 86.00 | 108.00 | 13.00 (5) | | | |
| 513093 | * | - | - | - | - | - | - | 3.27 | - | M10x1.25 | Modificada | - | - |
| | | | | | | | | 83.00 | | (4) | Trapezoidal | | |
| 513095 | | 4.73 | - | M12x1.5 | 2.25 | 2.60 | - | - | - | - | - | - | Y |
| | | 120.02 | | (4) | 57.12 | 65.91 | | | | | | | |
| | | 139.00 | 120.00 | (5) | 66.00 | 72.50 | | | | | | | |
| 513098 | * | - | - | - | - | - | - | 3.27 | 4.02 | M10x1.25 | Modificada | - | - |
| | | | | | | | | 83.00 | 102.00 | (4) | Trapezoidal | | |
| 513099 | * | - | - | - | - | - | - | 3.31 | - | - | Cuadrada | - | - |
| | | | | | | | | 84.00 | 106.00 | (4) | | | |
| 513100 | | 5.47 | 4.25 | M12x1.5 | 2.49 | 2.79 | 1.41 | 3.37 | 4.41 | M12x1.75 | Modificada | 26 | N |
| | | 139.00 | 107.95 | (5) | 63.23 | 70.97 | 35.90 | 85.50 | 112.00 | (3) | Triangular | | |
| 513104 | | 5.94 | 4.50 | 1/2-20 | 2.77 | 2.82 | 2.05 | 3.07 | - | - | - | - | Y |
| | | 151.00 | 114.30 | (5) | 70.47 | 71.63 | 52.00 | 78.00 | | | | | |
| 513105 | | 5.35 | 3.94 | M12x1.5 | 2.20 | 2.40 | 2.17 | - | - | - | - | - | Y |
| | | 136.00 | 100.00 | (4) | 56.00 | 61.00 | 55.00 | | | | | | |
| 513107 | | 5.67 | 4.50 | 1/2-20 | 2.81 | 2.83 | 1.81 | 3.94 | 4.75 | M12x1.75 | Modificada | 27 | N |
| | | 144.00 | 114.30 | (5) | 71.30 | 71.83 | 46.00 | 100.00 | 120.65 | (3) | Triangular | | |
| 513109 | | 5.68 | 4.50 | 1/2-20 | 2.82 | 2.88 | 2.11 | 3.79 | 5.00 | 1/2-20 | Rectangular | 31 | N |
| | | 144.00 | 114.30 | (6) | 71.43 | 73.00 | 54.00 | 96.20 | 127.00 | (4) | | | |
| 513111 | * | 4.72 | 3.94 | - | 2.24 | 2.60 | 1.65 | 2.60 | - | - | - | - | - |
| | | 120.00 | 100.00 | (4) | 57.00 | 66.00 | 42.00 | 66.00 | | | | | |
| 513114 | | 5.51 | 4.50 | M12x1.5 | 2.64 | 2.83 | 2.40 | 3.07 | - | - | - | - | Y |
| | | 140.00 | 114.30 | (5) | 67.00 | 72.00 | 61.00 | 78.00 | | | | | |
| 513115 | | 5.47 | 4.50 | 1/2-20 | 2.78 | 2.80 | 1.87 | 3.15 | - | - | - | - | N |
| | | 139.00 | 114.30 | (5) | 70.50 | 71.00 | 47.60 | 80.00 | | | | | |
| 513121 | | 5.73 | 4.53 | M12x1.5 | 2.76 | 2.78 | 1.66 | 3.59 | 4.57 | M12x1.75 | Modificada | 33 | Y |
| | | 145.50 | 115.00 | (5) | 70.10 | 70.60 | 42.06 | 91.25 | 116.00 | (3) | Triangular | | |
| 513122 | | 4.96 | 3.94 | M12x1.5 | 2.24 | 2.40 | 1.47 | 3.43 | 4.41 | M10x1.5 | Rectangular | 26 | N |
| | | 26.00 | 100.00 | (5) | 56.80 | 60.80 | 37.30 | 87.00 | 112.00 | (4) | | | |
| 513123 | | 5.49 | 4.50 | M12x1.5 | 2.81 | 2.88 | 1.47 | 3.43 | 4.41 | M10x1.5 | Rectangular | 26 | N |
| | | 139.32 | 114.30 | (5) | 71.32 | 73.25 | 347.30 | 87.00 | 112.00 | (4) | | | |
| 513124 | | 5.69 | 4.75 | M12x1.5 | 2.76 | 2.78 | 1.85 | 3.62 | 4.75 | M12x1.75 | Modificada | 27 | Y |
| | | 144.50 | 120.65 | (5) | 70.10 | 70.60 | 47.00 | 91.98 | 120.65 | (3) | Triangular | | |
| 513125 | | 5.26 | 4.45 | - | 2.65 | 2.92 | 3.00 | - | - | - | - | 48 | Y |
| | | 133.57 | 113.03 | (5) | 67.25 | 74.05 | 76.20 | | | | | | |
| 513126 | | 5.14 | 4.27 | - | 2.68 | 2.56 | 1.46 | 3.26 | 4.06 | 0.33 | Rectangular | - | N |
| | | 130.58 | 108.36 | (4) | 67.95 | 64.90 | 37.01 | 82.88 | 103.23 | 8.48 | | | |
| 513127 | | 5.18 | 4.23 | - | 2.56 | 2.67 | 1.46 | 3.18 | - | 0.41 | Rectangular | 26 | N |
| | | 131.47 | 107.54 | | 64.92 | 67.92 | 37.11 | 80.86 | | 10.54 | | | |
| 513128 | | 5.39 | - | M12x1.5 | 2.56 | 2.68 | - | - | 4.25 | - | - | - | N |
| | | 136.86 | | (5) | 64.97 | 67.95 | | | 107.95 | | | | |

Especificaciones de ensambles de mazas y rodamientos

| No. de Parte | | Diámetro de Brida | Diámetro Círculo Birlo | Birlo: tamaño y cantidad | Diámetro rueda piloto | Diámetro freno piloto | Desplaz. brida | Diámetro maza piloto | Birlo: diámetro círculo | Birlo: Agujero y cantidad | Forma de la brida | Estrias Cantidad | ABS |
|--------------|---|-------------------|------------------------|--------------------------|-----------------------|-----------------------|----------------|----------------------|-------------------------|---------------------------|-------------------|------------------|-----|
| | | A | B | C | D | E | F | G | H | I | J | | S/N |
| 513131 | | 5.51 | 4.50 | M12x1.5 | 2.64 | 2.83 | 2.40 | 3.07 | - | M8x1.25 | - | - | Y |
| | | 140.00 | 114.30 | (5) | 67.00 | 72.00 | 61.00 | 78.00 | | - | | | N |
| 513132 | | 5.47 | 4.50 | M12x1.5 | 2.81 | 2.90 | 1.50 | 3.43 | 4.41 | 0.314 | Rectangular | - | N |
| | | 138.99 | 114.30 | (6) | 71.32 | 73.56 | 38.10 | 87.02 | 111.88 | (4) | | | |
| 513133 | | 5.63 | 4.50 | - | 2.64 | 2.64 | 1.52 | 3.43 | 4.41 | M12x1.25 | Modificada | 27 | N |
| | | 143.00 | 114.30 | (5) | 67.00 | 67.00 | 38.50 | 87.00 | 112.00 | (4) | Rectangular | | |
| 513135 | * | - | - | - | - | - | - | 3.23 | 4.17 | M12x1.25 | Modificada | - | - |
| | | | | | | | | 82.00 | 106.00 | (4) | Trapezoidal | | |
| 513137 | | 5.73 | 4.53 | M12x1.5 | 2.76 | 2.78 | 1.46 | 3.60 | 4.57 | M12x1.75 | Modificada | 30 | Y |
| | | 145.50 | 115.00 | (5) | 70.10 | 70.60 | 37.10 | 91.42 | 116.00 | (3) | Triangular | | |
| 513138 | | 4.96 | 3.94 | M12x1.5 | 2.24 | 2.40 | 1.48 | 3.43 | 4.33 | M12x1.75 | Modificada | 26 | N |
| | | 125.91 | 100.00 | (5) | 56.79 | 60.83 | 37.47 | 87.00 | 110.01 | (3) | Triangular | | |
| 513139 | | 5.73 | 4.75 | M12x1.5 | 2.76 | 2.78 | 1.66 | 3.60 | 4.57 | M12x1.75 | Modificada | - | Y |
| | | 145.50 | 120.65 | (5) | 70.10 | 70.60 | 42.18 | 91.42 | 116.00 | (3) | Triangular | | |
| 513142 | | 5.24 | 3.94 | M12x1.5 | 2.36 | 2.60 | - | 2.79 | - | - | - | - | N |
| | | 132.99 | 100.00 | (4) | 59.99 | 65.99 | | 70.76 | | | | | |
| 513152 | | 4.80 | 3.94 | M12x1.5 | 2.13 | 2.17 | 2.13 | 2.40 | - | - | - | - | N |
| | | 122.00 | 100.00 | (4) | 54.00 | 55.00 | 54.00 | 61.00 | | | | | |
| 513153 | | 5.51 | 4.50 | M12x1.5 | 2.64 | 2.83 | 2.40 | 3.07 | - | - | - | - | Y |
| | | 140.00 | 114.30 | (5) | 67.00 | 72.00 | 61.00 | 78.00 | | | | | |
| 513155 | | 4.80 | 3.94 | M12x1.5 | 2.13 | 2.17 | 2.13 | - | - | - | - | - | Y |
| | | 122.00 | 100.00 | (4) | 54.00 | 55.00 | 54.00 | | | | | | |
| 513156 | | 5.47 | 4.25 | M12x1.5 | 2.49 | 2.77 | 1.91 | 3.29 | 4.49 | M12x1.75 | Modificada | 26 | N |
| | | 139.00 | 107.95 | (5) | 63.23 | 70.37 | 48.46 | 83.50 | 114.00 | (3) | Triangular | | |
| 513157 | | 5.59 | 4.50 | M12x1.5 | 2.63 | 2.71 | 1.60 | 2.52 | 4.17 | M12x1.25 | Modificada | - | N |
| | | 142.00 | 114.30 | (5) | 66.90 | 68.88 | 40.62 | 64.00 | 106.00 | (4) | Trapezoidal | | |
| 513160 | | 5.73 | 4.53 | M12x1.5 | 2.76 | 2.78 | 1.66 | 3.60 | 4.57 | M12x1.75 | Modificada | 33 | N |
| | | 145.50 | 115.00 | (5) | 70.10 | 70.60 | 42.18 | 91.42 | 116.00 | (3) | Triangular | | |
| 513178 | | 6.04 | 4.47 | M12x1.5 | 2.81 | 2.86 | 2.12 | 3.74 | 4.63 | - | Modificada | - | N |
| | | 153.47 | 113.47 | (5) | 71.42 | 72.64 | 53.87 | 94.89 | 117.58 | (3) | Triangular | | |
| 513179 | | 5.73 | 4.53 | M12x1.5 | 2.76 | 2.78 | 1.66 | 3.60 | 4.57 | M12x1.75 | Modificada | 33 | Y |
| | | 145.50 | 115.00 | (5) | 70.10 | 70.60 | 42.18 | 91.42 | 116.00 | (3) | Triangular | | |
| 513186 | | 5.73 | 4.53 | M12x1.5 | 2.76 | 2.78 | 1.66 | 3.60 | 4.57 | M12x1.75 | Modificada | - | Y |
| | | 145.50 | 115.00 | (5) | 70.10 | 70.60 | 42.18 | 91.42 | 116.00 | (3) | Triangular | | |
| 513187 | | 5.73 | 4.53 | M12x1.5 | 2.76 | 2.78 | 1.66 | 3.60 | 4.57 | M12x1.75 | Modificada | 33 | Y |
| | | 145.50 | 115.00 | (5) | 70.10 | 70.60 | 42.06 | 91.42 | 116.00 | (3) | Triangular | | |
| 513188 | | 5.94 | 5.00 | M12x1.5 | 3.06 | 3.11 | 1.85 | 3.62 | 4.75 | M12x1.75 | Modificada | 27 | Y |
| | | 150.75 | 127.00 | (6) | 77.78 | 78.98 | 47.00 | 91.98 | 120.65 | (3) | Triangular | | |
| 513189 | | 5.91 | 4.53 | M12x1.5 | 2.76 | 2.78 | 2.99 | 3.59 | 4.57 | M12x1.75 | Modificada | - | Y |
| | | 150.00 | 115.00 | (5) | 70.10 | 70.60 | 76.01 | 91.25 | 116.00 | (3) | Triangular | | |
| 513190 | | 5.91 | 4.53 | M12x1.5 | 2.76 | 2.78 | 2.99 | 3.59 | 4.57 | M12x1.75 | Modificada | - | N |
| | | 150.00 | 115.00 | (5) | 70.10 | 70.60 | 76.01 | 91.25 | 116.00 | (3) | Triangular | | |
| 513193 | | 6.69 | 5.50 | M12x1.5 | 4.13 | 4.26 | - | 3.10 | - | - | - | - | Y |
| | | 170.00 | 139.70 | (5) | 105.00 | 108.25 | | 78.65 | | | | | |
| 513194 | | 5.34 | 4.08 | - | 2.55 | 2.70 | 1.69 | 3.44 | 4.08 | - | Modificada | - | N |
| | | 135.64 | 103.58 | (5) | 64.82 | 68.58 | 43.00 | 87.43 | 103.68 | (4) | Rectangular | | |
| 513196 | | 5.95 | 4.45 | - | 2.75 | 2.98 | 1.41 | 3.43 | 3.86 | - | Modificada | - | Y |
| | | 151.00 | 112.92 | (5) | 69.93 | 75.58 | 35.76 | 87.06 | 98.08 | (4) | Rectangular | | |

Especificaciones de ensambles de mazas y rodamientos

| No. de Parte | Diámetro de Brida | Diámetro Círculo Birlo | Birlo: tamaño y cantidad | Diámetro rueda piloto | Diámetro freno piloto | Desplaz. brida | Diámetro maza piloto | Birlo: diámetro círculo | Birlo: Agujero y cantidad | Forma de la brida | Estrias Cantidad | ABS |
|--------------|-------------------|------------------------|--------------------------|-----------------------|-----------------------|----------------|----------------------|-------------------------|---------------------------|-------------------|------------------|-----|
| | A | B | C | D | E | F | G | H | I | J | | S/N |
| 513202 | 5.96 | 4.25 | M12x2.4 | 2.77 | 2.83 | 2.17 | - | - | - | - | - | Y |
| | 151.53 | 107.95 | (5) | 70.51 | 71.90 | 55.32 | | | | | | |
| 515000 | 5.69 | 4.50 | 1/2-20 | 2.51 | 2.54 | 2.02 | 3.94 | 4.75 | M12x1.75 | Modificada | 26 | N |
| | 144.50 | 114.30 | (5) | 63.80 | 64.40 | 51.30 | 100.00 | 120.60 | (3) | Triangular | | |
| 515001 | 7.16 | 5.50 | M14x1.5 | 3.06 | 3.08 | 2.23 | 3.91 | 4.96 | 0.58 | Modificada | 33 | N |
| | 181.76 | 139.70 | (6) | 77.60 | 78.11 | 56.74 | 99.31 | 125.98 | 14.73 (3) | Triangular | | |
| 515002 | 7.17 | 5.50 | M14x1.5 | 3.06 | 3.08 | 1.99 | 3.91 | 4.96 | 0.58 | Modificada | 33 | N |
| | 181.99 | 139.70 | (6) | 77.60 | 78.11 | 50.55 | 99.31 | 125.98 | 14.73 (3) | Triangular | | |
| 515005 | 6.78 | 5.00 | 1/2-20 | 3.06 | 3.09 | 2.93 | 3.85 | 4.96 | 0.58 | Modificada | 33 | |
| | 172.21 | 127.00 | (5) | 77.60 | 78.36 | 74.30 | 97.71 | 125.98 | 14.68 | Triangular | | |
| 515006 | 6.78 | 5.50 | 1/2-20 | 3.06 | 3.09 | 2.03 | 3.91 | 4.96 | M14x1.5 | Modificada | 33 | N |
| | 172.09 | 139.70 | (5) | 77.72 | 78.49 | 51.44 | 99.31 | 125.98 | (3) | Triangular | | |
| 515014 | 5.88 | 4.50 | 1/2-20 | 2.77 | 3.63 | 1.93 | 3.90 | N/A | - | Modificada | - | N |
| | 149.40 | 114.30 | (5) | 87.12 | 92.32 | 49.08 | 99.25 | | (3) | Triangular | | |
| 515017 | 7.17 | 5.32 | - | 3.42 | 3.54 | 2.98 | 3.91 | 4.96 | M14x1.5 | Modificada | 33 | N |
| | 181.99 | 135.03 | (5) | 86.74 | 89.97 | 75.79 | 99.31 | 125.88 | (3) | Triangular | | |
| 515020 | 7.99 | 6.69 | M14 | | | | | N/A | - | Rectangular | | Y |
| | 203.00 | 170.00 | (8) | | | | | | (4) | | | |
| 515021 | 7.99 | 6.69 | M14 | | | | | N/A | - | Rectangular | | N |
| | 203.00 | 170.00 | (8) | | | | | | (4) | | | |
| 515022 | 7.14 | 5.91 | M12X1.75 | 3.42 | 3.64 | 1.94 | 3.91 | N/A | M14x1.5 | Modificada | 33 | N |
| | 181.35 | 150.00 | (7) | 86.74 | 92.46 | 49.28 | 99.31 | | (3) | Triangular | | |
| 515025 | 7.99 | 6.69 | M14 | | | | | N/A | - | Rectangular | | Y |
| | 203.00 | 170.00 | (8) | | | | | | (4) | | | |
| 515026 | 5.88 | 4.50 | 1/2-20 | 2.78 | 2.84 | 2.21 | 3.94 | N/A | - | Modificada | | N |
| | 149.40 | 114.30 | (5) | 70.61 | 72.14 | 56.13 | 100.08 | | (3) | Triangular | | |
| 515027 | 5.88 | 4.50 | 1/2-20 | 2.78 | 2.84 | 2.21 | 3.94 | N/A | - | Modificada | | Y |
| | 149.40 | 114.30 | (5) | 70.61 | 72.14 | 56.13 | 100.08 | | (3) | Triangular | | |
| 515028 | 7.13 | 5.31 | M14X2 | | | | | N/A | - | Modificada | | N |
| | 181.00 | 135.00 | (5) | | | | | | (3) | Triangular | | |
| 515029 | 7.13 | 5.31 | M14X2 | | | | | N/A | - | Modificada | | Y |
| | 181.00 | 135.00 | (5) | | | | | | (3) | Triangular | | |
| 515030 | 7.14 | 5.91 | M12X1.75 | 3.42 | 3.63 | 1.94 | 3.91 | N/A | - | Modificada | 33 | Y |
| | 181.35 | 150.00 | (7) | 86.74 | 92.20 | 49.28 | 99.31 | | (3) | Triangular | | |
| 515031 | 7.14 | 5.31 | M14X2.0 | 3.42 | 3.63 | 49.28 | 3.91 | N/A | - | Modificada | 33 | Y |
| | 181.35 | 135.00 | (5) | 86.74 | 92.20 | 1.94 | 99.31 | | (3) | Triangular | | |
| 518500 | 4.80 | 3.94 | M12x1.5 | 2.24 | 2.40 | - | 2.99 | 3.70 | M8x1.25 | - | 26 | N |
| | 122.00 | 100.00 | (4) | 56.85 | 60.87 | | 76.00 | 94.00 | (3) | | | |
| 518501 | 4.96 | 3.94 | M12x1.5 | 2.24 | 2.40 | - | 2.99 | 4.46 | M8x1.25 | - | 26 | N |
| | 126.00 | 100.00 | (4) | 56.85 | 60.87 | | 76.00 | 113.00 | (3) | | | |
| 518502 | 4.96 | 3.94 | M12x1.5 | 2.24 | 2.40 | - | 2.99 | 4.46 | M8x1.25 | - | 26 | N |
| | 126.00 | 100.00 | (5) | 56.85 | 60.87 | | 76.00 | 113.00 | (3) | | | |
| 518503 | 2.49 | 4.25 | M12x1.5 | 2.49 | 2.49 | 3.06 | - | - | - | - | 26 | N |
| | 63.35 | 107.95 | (4) | 63.12 | 63.35 | 77.72 | | | | | | |
| 518504 | 4.72 | 3.94 | M12x1.5 | 2.20 | 2.93 | - | - | - | - | - | 24 | N |
| | 120.00 | 100.00 | (4) | 55.84 | 60.80 | | | | | | | |
| 518505 | 4.80 | 3.94 | M12x1.5 | 2.21 | 2.42 | - | - | - | - | - | - | N |
| | 122.00 | 100.00 | (4) | 56.23 | 61.44 | | | | | | | |

Especificaciones de ensambles de mazas y rodamientos

| No. de Parte | Diámetro de Brida | Diámetro Círculo Birlo | Birlo: tamaño y cantidad | Diámetro rueda piloto | Diámetro freno piloto | Desplaz. brida | Diámetro maza piloto | Birlo: diámetro círculo | Birlo: Agujero y cantidad | Forma de la brida | Estrías Cantidad | ABS |
|--------------|-------------------|------------------------|--------------------------|-----------------------|-----------------------|----------------|----------------------|-------------------------|---------------------------|-------------------|------------------|-----|
| | A | B | C | D | E | F | G | H | I | J | | S/N |
| 518506 | 4.88 | 3.94 | M12x1.5 | 2.13 | - | - | 1.49 | - | - | - | 26 | N |
| | 123.95 | 100.00 | (5) | 53.98 | | | 37.99 | | | | | |
| 518507 | 4.88 | 3.94 | M12x1.5 | 2.13 | - | - | - | - | - | - | 26 | N |
| | 123.95 | 100.00 | (4) | 53.98 | | | | | | | | |
| 520000 | 5.49 | 4.25 | M12x1.5 | 2.50 | 2.54 | 2.40 | - | - | - | - | 26 | N |
| | 139.32 | 107.95 | (5) | 63.37 | 64.39 | 60.99 | | | | | | |
| 520100 | 5.49 | 4.25 | M12x1.5 | 2.49 | 2.79 | 2.23 | - | - | - | - | 26 | N |
| | 139.32 | 107.95 | (5) | 63.22 | 70.97 | 56.67 | | | | | | |
| HA500100 | 7.22 | 5.50 | 9/16-18 | 3.06 | 3.09 | 1.85 | 3.54 | 4.96 | M14x1.5 | Modificada | 33 | N |
| | 183.30 | 139.70 | (5) | 77.70 | 78.42 | 47.08 | 90.04 | 126.00 | (3) | Triangular | | |
| HA590002 | 5.32 | 3.93 | M12x1.5 | 2.13 | 2.18 | 2.18 | 2.91 | 3.65 | M10x1.25 | Modificada | 26 | N |
| | 135.00 | 99.76 | (5) | 54.03 | 55.30 | 55.40 | 73.96 | 92.68 | (4) | Rectangular | | |
| HA590003 | 7.12 | 5.50 | M14x1.5 | 2.90 | 3.08 | 2.15 | 4.17 | 5.51 | - | Cuadrada | 37 | N |
| | 180.78 | 139.70 | (6) | 73.75 | 78.26 | 54.65 | 105.91 | 140.00 | (4) | | | |
| HA590004 | 7.85 | 6.50 | M14x1.5 | 4.44 | 4.61 | 2.40 | 4.17 | 5.73 | M12x1.75 | | 37 | N |
| | 199.40 | 165.10 | (8) | 112.73 | 117.00 | 60.98 | 105.87 | 145.56 | | | | |
| HA590008 | 5.27 | 3.93 | M12x1.5 | 2.21 | 2.40 | - | - | - | - | - | - | Y |
| | 133.76 | 99.90 | (4) | 56.05 | 60.96 | | | | | | | |
| HA590009 | 5.47 | 3.94 | M12x1.5 | 2.21 | 2.40 | - | - | - | - | - | - | Y |
| | 139.00 | 100.00 | (4) | 56.06 | 61.03 | | | | | | | |
| HA590010 | 5.83 | 4.50 | M12x1.5 | 2.64 | 2.99 | 2.52 | 2.83 | 3.94 | M12x1.25 | Modificada | - | Y |
| | 148.00 | 114.30 | (5) | 66.94 | 75.97 | 64.12 | 71.95 | 100.04 | (4) | Trapezoidal | | |
| HA590013 | 5.63 | 4.50 | M12x1.5 | 2.64 | 2.80 | - | - | - | - | - | - | Y |
| | 143.00 | 114.30 | (5) | 66.93 | 71.07 | | | | | | | |
| HA590014 | 5.51 | 4.50 | M12x1.5 | 2.63 | 2.83 | - | - | - | - | - | - | Y |
| | 140.00 | 114.30 | (5) | 66.92 | 71.98 | | | | | | | |
| HA590017 | 5.83 | 4.50 | 1/2-20 | 2.77 | 2.80 | - | - | - | - | - | - | Y |
| | 148.00 | 114.30 | (5) | 70.48 | 71.12 | | | | | | | |
| HA590018 | 8.19 | 6.50 | 9/16-18 | 4.59 | - | 2.69 | 4.48 | 5.51 | M14x1.5 | Rectangular | 33 | N |
| | 208.00 | 165.10 | (8) | 116.64 | | 68.25 | 113.86 | 140.00 | (4) | | | |
| HA590019 | 5.47 | 4.50 | M12x1.5 | 2.52 | 2.54 | 2.31 | 2.91 | 3.93 | M10x1.25 | Modificada | - | Y |
| | 139.00 | 114.30 | (5) | 64.05 | 64.44 | 58.69 | 73.95 | 99.89 | (4) | Trapezoidal | | |
| HA590020 | 8.42 | 6.50 | 0.60 | 4.77 | - | 2.97 | 4.48 | - | M14x1.5 | Rectangular | 33 | N |
| | 213.87 | 165.10 | (8) | 121.16 | | 75.31 | 113.89 | | (4) | | | |
| HA590021 | 6.14 | 4.50 | 1/2-20 | 2.49 | 2.54 | 2.42 | 2.91 | 4.23 | M12x1.75 | Modificada | - | Y |
| | 156.00 | 114.30 | (5) | 63.30 | 64.40 | 61.50 | 74.04 | 107.50 | (4) | Rectangular | | |
| HA590022 | 6.15 | 4.50 | 1/2-20 | 2.49 | 2.54 | 2.41 | 2.91 | 4.24 | - | Modificada | - | Y |
| | 156.20 | 114.30 | (5) | 63.26 | 64.62 | 61.13 | 73.96 | 107.58 | (4) | Trapezoidal | | |
| HA590023 | 7.25 | 5.50 | M12x1.5 | 3.92 | 3.94 | 2.65 | 3.35 | 4.41 | M12x1.75 | Rectangular | 27 | Y |
| | 184.16 | 139.70 | (6) | 99.50 | 100.01 | 67.23 | 84.97 | 112.06 | (4) | | | |
| HA590024 | 6.15 | 4.50 | 1/2-20 | 2.49 | 2.80 | 1.64 | 3.60 | 4.57 | M12x1.75 | Modificada | 26 | Y |
| | 156.20 | 114.30 | (5) | 63.27 | 71.17 | 41.63 | 91.52 | 116.14 | (3) | Triangular | | |
| HA590025 | 6.14 | 4.50 | 1/2-20 | 2.49 | 2.81 | 1.68 | 3.60 | 4.53 | - | Modificada | 26 | Y |
| | 156.00 | 114.30 | (5) | 63.32 | 71.46 | 42.76 | 91.50 | 115.06 | (3) | Triangular | | |
| HA590026 | 5.83 | 4.50 | 1/2-20 | 2.78 | 2.84 | - | 3.15 | - | - | - | - | N |
| | 148.00 | 114.30 | (5) | 70.61 | 72.14 | | 80.04 | | | | | |
| HA590027 | 5.35 | 4.50 | M12x1.25 | 2.60 | 2.67 | 1.61 | 3.31 | 4.25 | M12x1.25 | Rectangular | - | Y |
| | 136.00 | 114.30 | (5) | 65.92 | 67.94 | 40.85 | 84.01 | 107.90 | (4) | | | |

Especificaciones de ensambles de mazas y rodamientos

| No. de Parte | Diámetro de Brida | Diámetro Círculo Birlo | Birlo: tamaño y cantidad | Diámetro rueda piloto | Diámetro freno piloto | Desplaz. brida | Diámetro maza piloto | Birlo: diámetro círculo | Birlo: Agujero y cantidad | Forma de la brida | Estrías Cantidad | ABS |
|--------------|-------------------|------------------------|--------------------------|-----------------------|-----------------------|----------------|----------------------|-------------------------|---------------------------|-------------------|------------------|-----|
| | A | B | C | D | E | F | G | H | I | J | | S/N |
| HA590028 | 5.74 | 4.50 | 1/2-20 | 2.49 | 2.68 | 1.71 | 3.44 | 4.44 | M12x1.75 | Rectangular | 38 | Y |
| | 145.83 | 114.30 | (5) | 63.24 | 68.02 | 43.48 | 87.30 | 112.88 | (4) | | | |
| HA590029 | - | | - | | | | | | - | Modificada | 38 | Y |
| | | | (5) | | | | | | (4) | Trapezoidal | | |
| HA590030 | 5.90 | 4.53 | M14x1.5 | 2.81 | 2.86 | - | - | - | - | - | - | Y |
| | 149.85 | 115.00 | (5) | 71.42 | 72.77 | | | | | | | |
| HA590031 | 5.90 | 4.51 | M14x1.5 | 2.81 | 2.85 | 2.39 | 3.56 | 4.36 | M10x1.5 | Modificada | 27 | N |
| | 149.78 | 114.63 | (5) | 71.46 | 72.40 | 60.65 | 90.35 | 110.67 | (4) | Rectangular | | |
| HA590032 | 8.08 | 6.50 | 9/16-18 | 4.77 | 4.81 | 2.15 | 4.49 | 5.59 | M14x1.5 | Cuadrada | 33 | Y |
| | 205.17 | 165.10 | (8) | 121.07 | 122.30 | 54.60 | 114.17 | 141.99 | (4) | | | |
| HA590033 | 7.21 | 5.50 | 9/16x18 | 3.06 | 3.10 | 1.94 | 4.13 | 5.36 | M14x1.5 | Modificada | 33 | Y |
| | 183.00 | 139.70 | (5) | 77.67 | 78.70 | 49.15 | 104.90 | 136.04 | (3) | Triangular | | |
| HA590034 | 7.21 | 5.50 | 9/16-18 | 3.06 | 3.09 | 1.94 | 4.13 | 5.31 | M14x1.5 | Modificada | 33 | N |
| | 183.00 | 139.70 | (5) | 77.67 | 78.38 | 49.35 | 105.02 | 134.88 | (3) | Triangular | | |
| HA590035 | 7.21 | 5.50 | 9/16-18 | 3.06 | 3.09 | 1.93 | 4.14 | 5.30 | M14x1.5 | Modificada | 33 | Y |
| | 183.00 | 139.70 | (5) | 77.67 | 78.40 | 48.95 | 105.04 | 134.66 | (3) | Triangular | | |
| HA590036 | 6.48 | 5.00 | 1/2-20 | 2.81 | 2.83 | 2.04 | 3.94 | 4.83 | M12x1.75 | Modificada | 29 | Y |
| | 164.67 | 127.00 | (5) | 71.41 | 71.96 | 51.90 | 100.12 | 122.79 | (3) | Triangular | | |
| HA590038 | 5.47 | 4.25 | M12x1.5 | 2.49 | 2.53 | - | - | - | - | - | - | Y |
| | 139.00 | 107.95 | (5) | 63.21 | 64.38 | | | | | | | |
| HA590039 | 6.66 | 5.50 | M12x1.5 | 2.63 | 3.70 | 2.43 | 3.59 | 4.63 | M12x1.25 | Modificada | 33 | N |
| | 169.19 | 139.70 | (6) | 66.86 | 93.98 | 61.78 | 91.06 | 117.57 | (4) | Trapezoidal | | |
| HA590040 | 5.32 | 3.94 | M12x1.5 | 2.13 | 2.17 | 2.17 | 2.91 | 3.72 | M10x1.25 | Modificada | - | Y |
| | 135.00 | 100.00 | (5) | 54.14 | 55.07 | 55.02 | 73.91 | 94.40 | (4) | Trapezoidal | | |
| HA590043 | 5.83 | 4.50 | M12x1.25 | 2.60 | 2.68 | - | - | - | - | - | - | Y |
| | 148.00 | 114.30 | (4) | 65.94 | 68.03 | | | | | | | |
| HA590044 | 5.83 | 4.50 | M12x1.25 | 2.60 | 2.68 | 2.73 | 3.31 | 4.24 | M12x1.25 | Rectangular | 29 | Y |
| | 148.00 | 114.30 | (5) | 65.92 | 67.96 | 69.22 | 83.98 | 107.81 | (4) | | | |
| HA590045 | 5.76 | 4.50 | M12x1.25 | 2.60 | 2.68 | 2.73 | 3.30 | 4.25 | M12x1.25 | Rectangular | - | Y |
| | 146.29 | 114.30 | (5) | 65.98 | 67.97 | 69.22 | 83.94 | 107.84 | (4) | | | |
| HA590046 | 5.35 | 4.50 | M12x1.25 | 2.60 | 2.68 | 1.60 | 3.66 | 4.72 | M12x1.25 | Rectangular | 29 | Y |
| | 136.00 | 114.30 | (5) | 65.95 | 68.12 | 40.72 | 92.98 | 119.88 | (4) | | | |
| HA590047 | 5.83 | 4.50 | M12x1.25 | 2.60 | 2.68 | - | - | - | - | - | - | Y |
| | 148.00 | 114.30 | (4) | 66.05 | 68.10 | | | | | | | |
| HA590048 | 5.73 | 4.54 | M12x1.5 | 2.76 | 2.78 | 1.66 | 3.59 | 4.62 | M12x1.75 | Modificada | 33 | N |
| | 145.50 | 115.25 | (5) | 70.23 | 70.61 | 42.10 | 91.19 | 117.36 | (3) | Triangular | | |
| HA590049 | 5.73 | 4.53 | M12x1.5 | 2.76 | 2.78 | 1.68 | 3.59 | 4.65 | M12x1.75 | Modificada | 30 | Y |
| | 145.61 | 115.00 | (5) | 70.05 | 70.58 | 42.60 | 91.24 | 118.00 | (3) | Triangular | | |
| HA590050 | * | - | - | - | - | - | 3.94 | 5.51 | 12.8(2)-12(2) | Modificada | - | Y |
| | | | | | | | 100.00 | 140.00 | (4) | Trapezoidal | | |
| HA590053 | 7.25 | 5.50 | M12x1.5 | 3.91 | 3.93 | 2.65 | 3.35 | 4.44 | M12x1.75 | Rectangular | - | Y |
| | 184.16 | 139.70 | (6) | 99.43 | 99.94 | 67.35 | 85.08 | 112.73 | (4) | | | |
| HA590054 | 7.25 | 5.50 | M12x1.5 | 3.92 | 3.94 | 2.65 | 3.35 | 4.45 | M12x1.75 | Rectangular | - | Y |
| | 184.16 | 139.70 | (6) | 99.51 | 100.18 | 67.42 | 84.97 | 113.04 | (4) | | | |
| HA590055K | 5.34 | 3.94 | M12x1.5 | 2.03 | 2.13 | - | 1.40 | - | - | - | - | N |
| | 135.64 | 100.00 | (5) | 51.47 | 54.01 | | 35.43 | | | | | |
| HA590056K | 5.39 | - | M12x1.5 | 2.56 | 2.68 | - | - | 4.25 | - | - | - | Y |
| | 136.86 | | | 64.97 | 67.95 | | | 107.95 | | | | |

Especificaciones de ensambles de mazas y rodamientos

| No. de Parte | Diámetro de Brida | Diámetro Círculo Birlo | Birlo: tamaño y cantidad | Diámetro rueda piloto | Diámetro freno piloto | Desplaz. brida | Diámetro maza piloto | Birlo: diámetro círculo | Birlo: Agujero y cantidad | Forma de la brida | Estrias Cantidad | ABS |
|--------------|-------------------|------------------------|--------------------------|-----------------------|-----------------------|----------------|----------------------|-------------------------|---------------------------|-------------------|------------------|-----|
| | A | B | C | D | E | F | G | H | I | J | | S/N |
| HA590058 | 7.25 | 5.50 | M12x1.5 | 3.92 | 3.94 | 2.65 | 3.35 | 4.43 | M12x1.5 | Rectangular | - | Y |
| | 184.16 | 139.70 | (6) | 99.53 | 100.03 | 67.35 | 84.98 | 112.60 | (4) | | | |
| HA590059 | 7.25 | 5.50 | M12x1.5 | 3.92 | 3.94 | 2.64 | 3.35 | 4.42 | M12x1.75 | Rectangular | - | Y |
| | 184.16 | 139.70 | (6) | 99.50 | 100.02 | 67.12 | 85.05 | 112.25 | (4) | | | |
| HA590060 | 7.25 | 5.50 | M12x1.5 | 3.92 | 3.94 | 2.65 | 3.35 | 4.44 | M12x1.75 | Rectangular | 27 | Y |
| | 184.16 | 139.70 | (6) | 99.52 | 100.08 | 67.40 | 85.02 | 112.73 | (4) | | | |
| HA590061 | 7.25 | 5.50 | M12x1.5 | 3.92 | 3.94 | 2.65 | 3.35 | 4.44 | M12x1.75 | Rectangular | - | Y |
| | 184.16 | 139.70 | (6) | 99.56 | 100.13 | 67.30 | 84.99 | 112. | | | | |